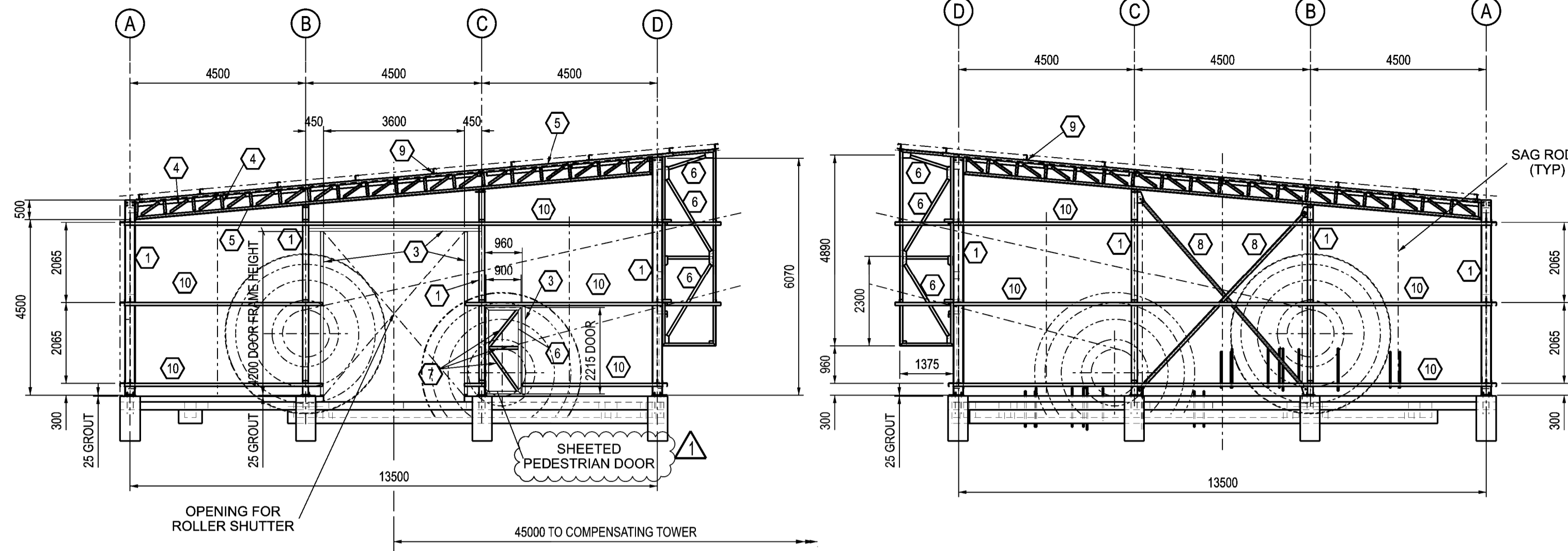
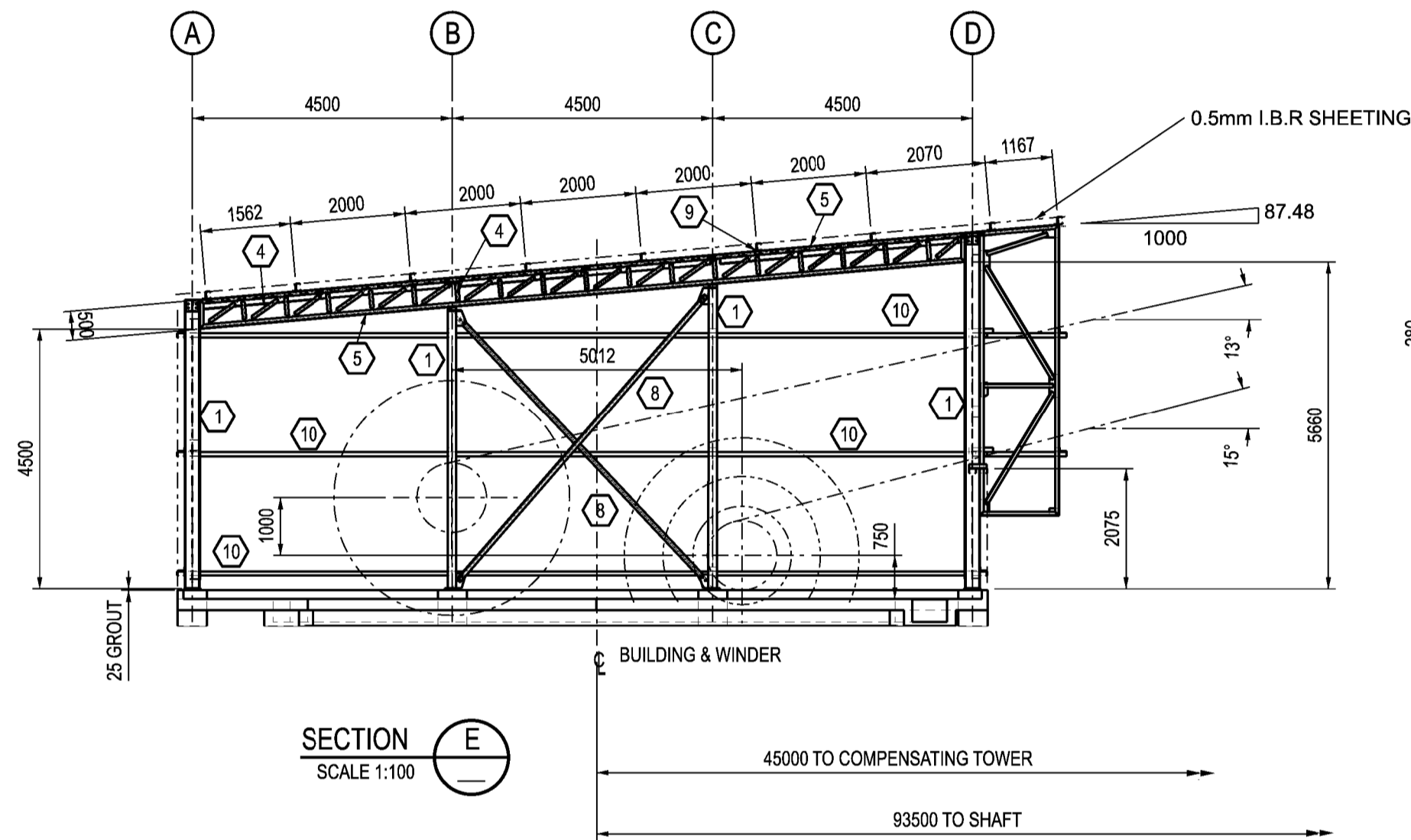


PLAN ON ROPE REEL BUILDING
SCALE 1:100

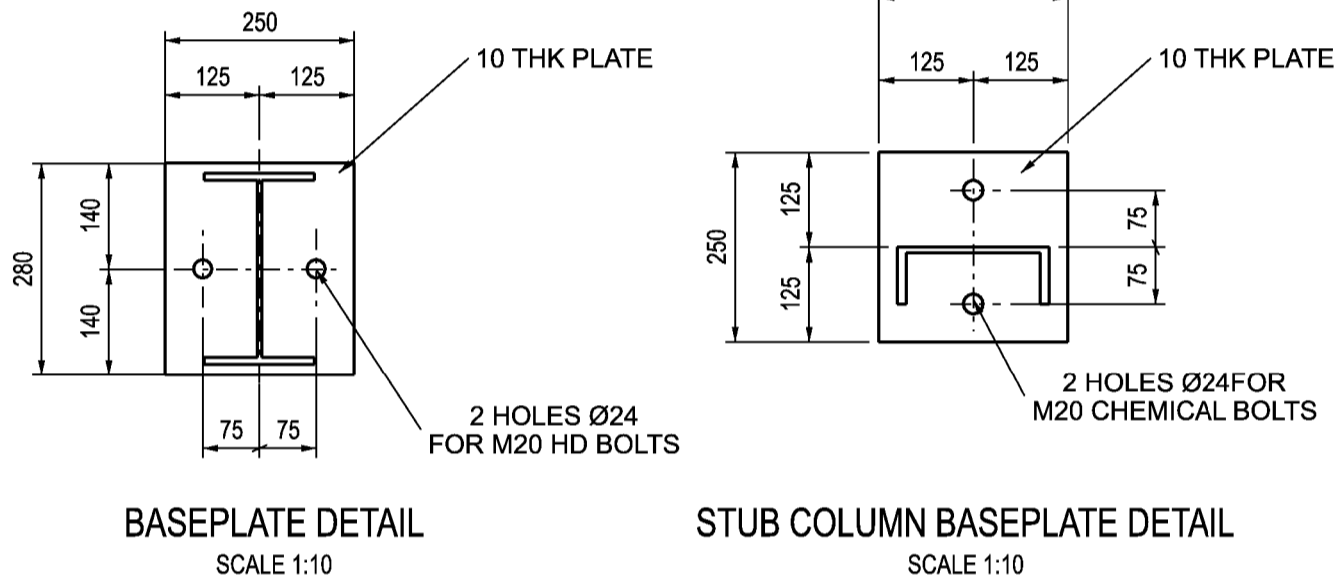


ELEVATION C
SCALE 1:100

ELEVATION D
SCALE 1:100

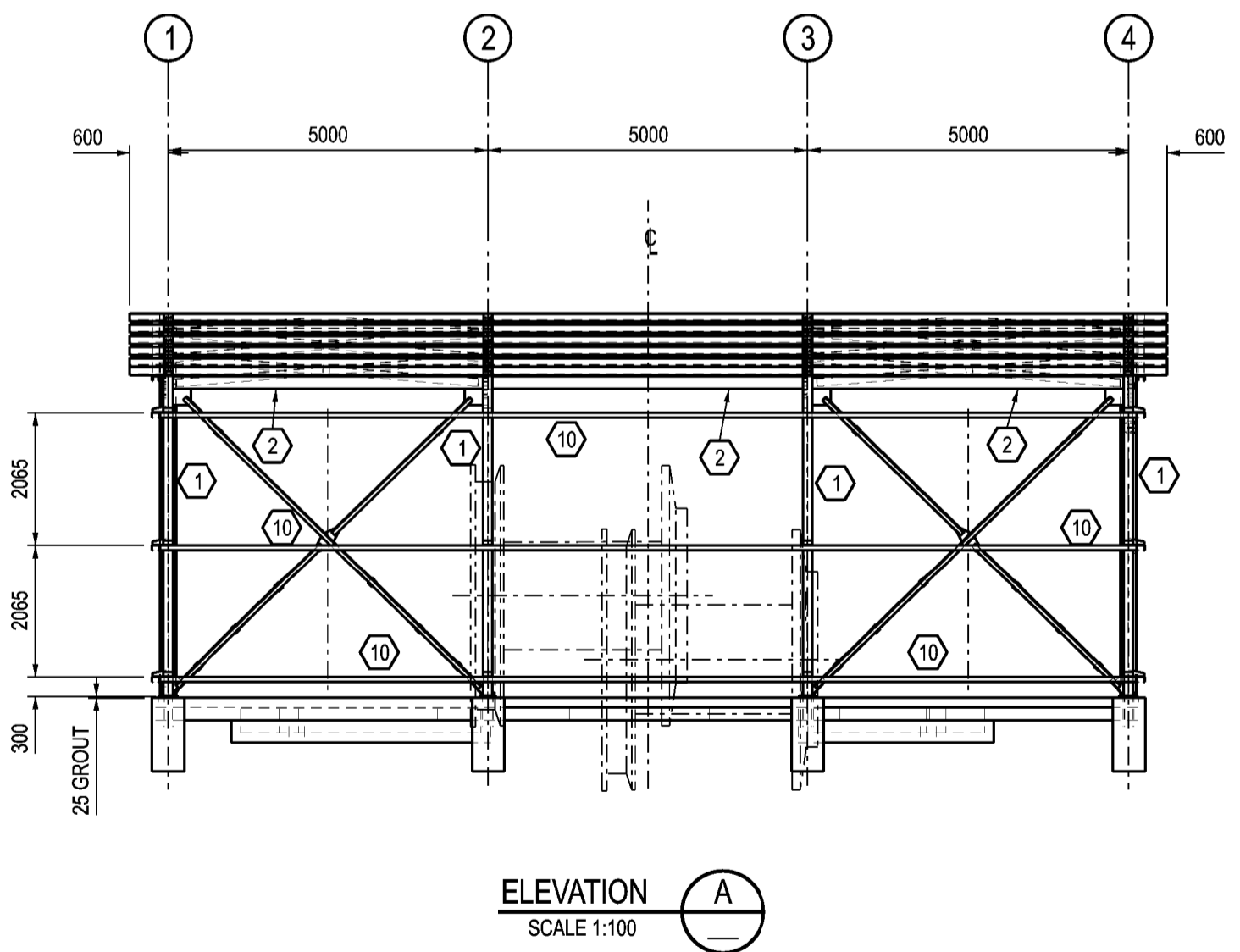


SECTION E
SCALE 1:100

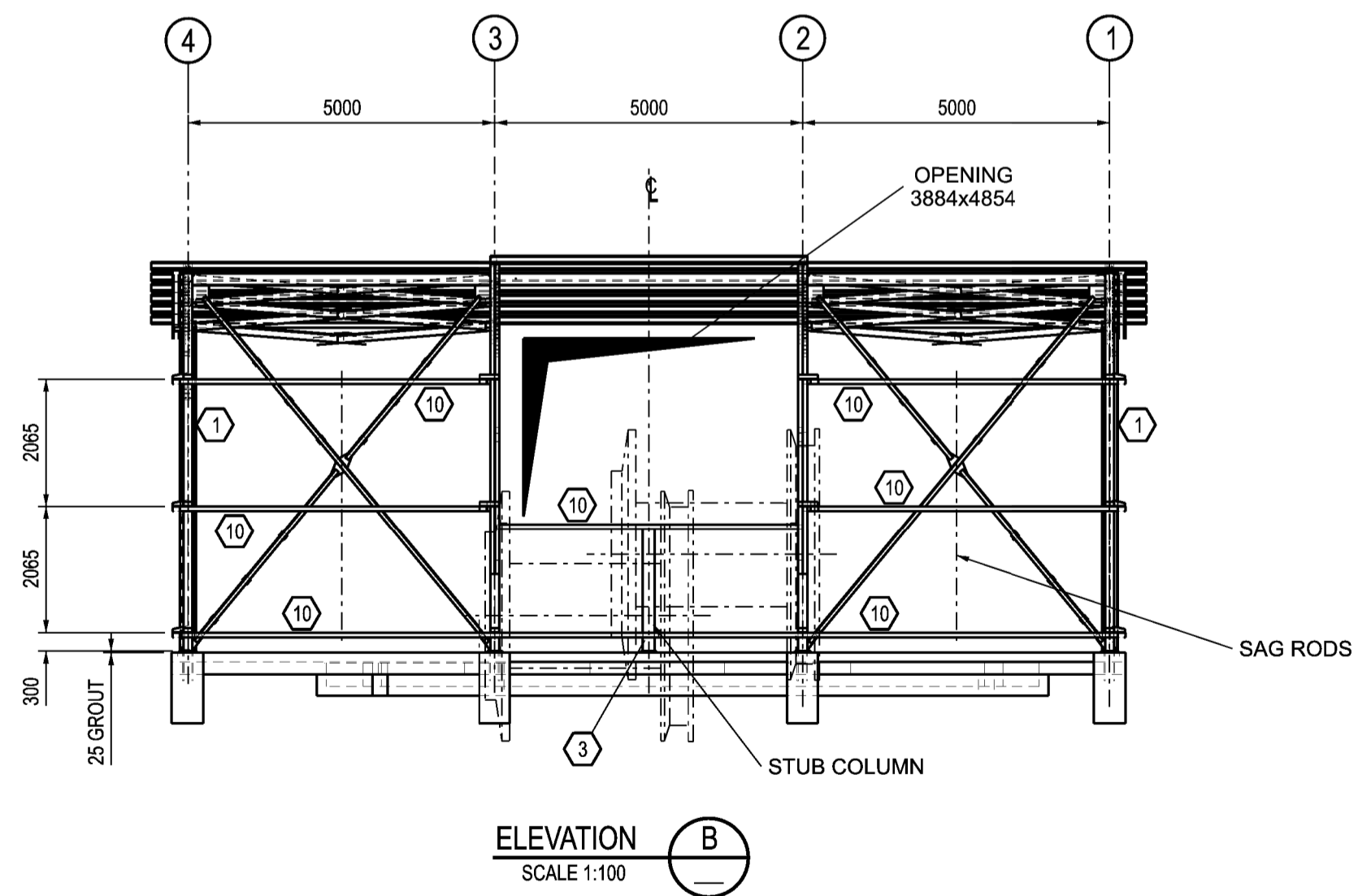


BASEPLATE DETAIL
SCALE 1:10

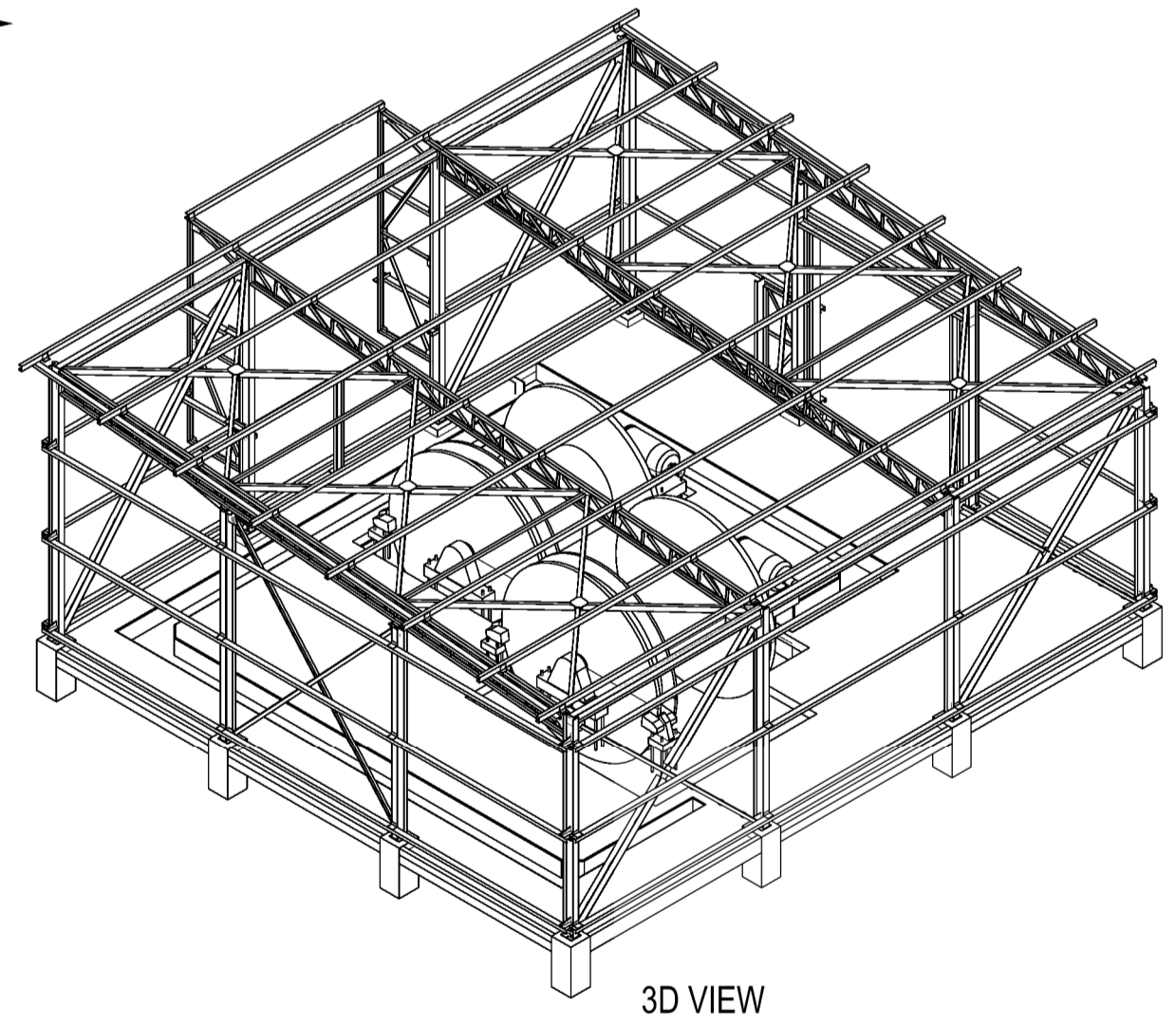
STUB COLUMN BASEPLATE DETAIL
SCALE 1:10



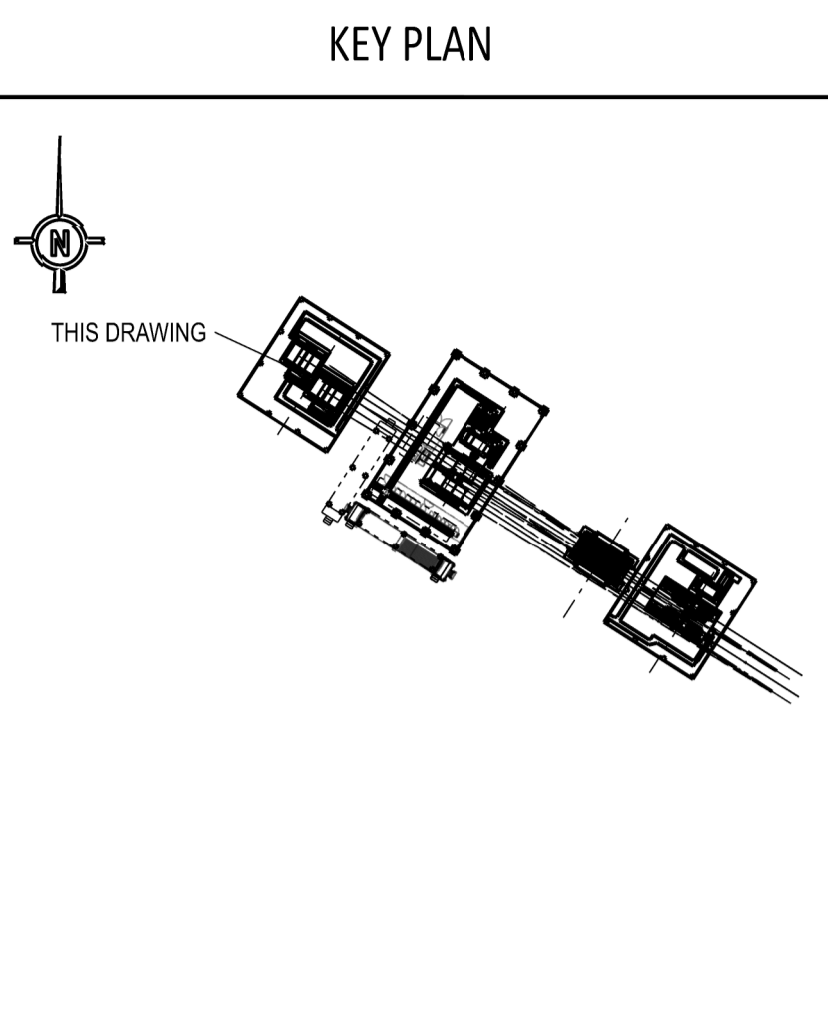
ELEVATION A
SCALE 1:100



ELEVATION B
SCALE 1:100



3D VIEW



NOTES

- 1) FOR GENERAL NOTES SEE DRG No 165-4-107-5300-O-0014_01
- 2) TOTAL AREA OF IBR SHEETING 741 m²
- 3) TOTAL MASS OF STEELWORK : 12966kg
- 4) ALL CORNERS TO HAVE FLASHING
- 5) SHEETING - 0.5mm IBR GALVANISED WITH 25% SIDE SHEETING TRANSPARENT FIBER GLASS
- 6) DOORS :
 - 6.1) HINGES - HEAVY DUTY BUTT WELD MINIMUM x2 PER DOOR
 - 6.2) LOCKS - PEDESTRIAN DOORS TO BE LOCKED FROM BOTH SIDES
 - 6.3) ROLLER SHUTTER DOOR - CHAIN OPERATED

LEGEND	MATERIAL
1	254x146x37 UC
2	203x133x25 UB
3	200x75 PFC
4	60x60x6 RSA
5	70x70x6 RSA
6	70x70x10 RSA
7	80x10 FB
8	80x60x8 RSA
9	125x75x10 RSA
10	125x75x20x2.0 LIPPED C

ISSUED FOR CONSTRUCTION

Murray & Roberts Cementation
Tel: +27 11 201 5000
Fax: +27 11 201 5300
info.cementation@murro.com
www.cementation.murro.com

Pr Eng/Tech :
Reg. No:
Signature:

M&R Cementation Drg. No	165-5-2200-T-0068_01	REV 1
----------------------------	----------------------	----------

IVANPLATS
IVANPLATS SHAFT 2 SINKING & EQUIPPING DESIGN
HEADFRAME
SURFACE INFRASTRUCTURE
G.A OF ROPE REEL BUILDING
FOR PHPH 11 WINDER

DWG No:	REV 1	SCALE: 1:100	IF IN DOUBT, ASK	SH No. 01	A1
---------	-------	--------------	------------------	-----------	----

TITLE	DRG No
G.A OF SINKING WINDERS	165-5-2200-O-0013_01
CONCRETE DETAILS OF FOUNDATION FOR ROPE REEL WINDERHOUSE	165-5-2200-C-0018_01
G.A OF SINKING HEADGEAR AND WINCHES	165-4-107-5700-O-0013_01

DESCRIPTION	MARK	DATE	INTLS	APPV'D
UPDATED GENERAL NOTES AND ADDED PEDESTRIAN DOOR NOTE	1	11/08/2023	RvR	
ISSUED FOR CONSTRUCTION	0	08/12/2022	GM	
ROOF ALTERED	B	13/10/2022	GM	
ISSUED FOR INFORMATION	A	04/10/2022	GM	

DESCRIPTION	MARK	DATE	INTLS	APPV'D
IVANPLATS				
NAME				
SIGNATURE				
DATE				
Vice President				
Project Man				
Engineer				

