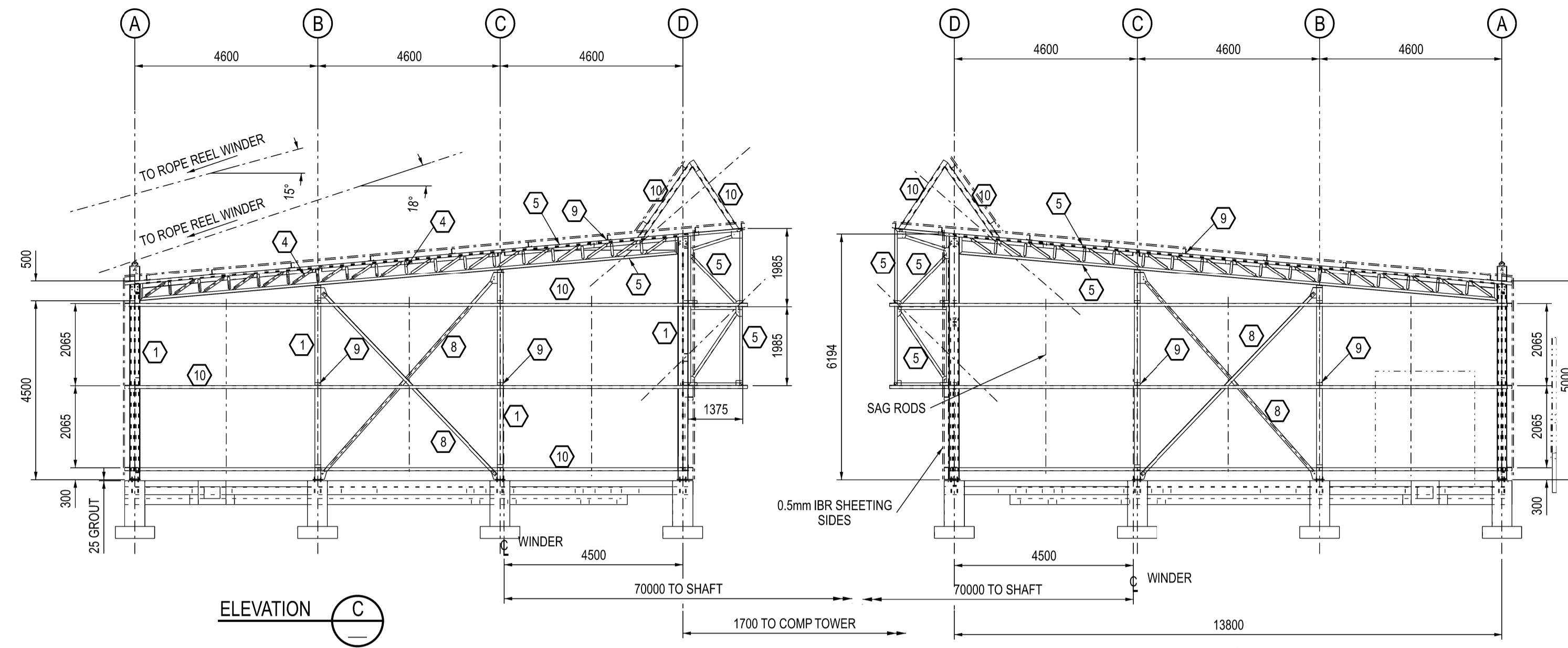
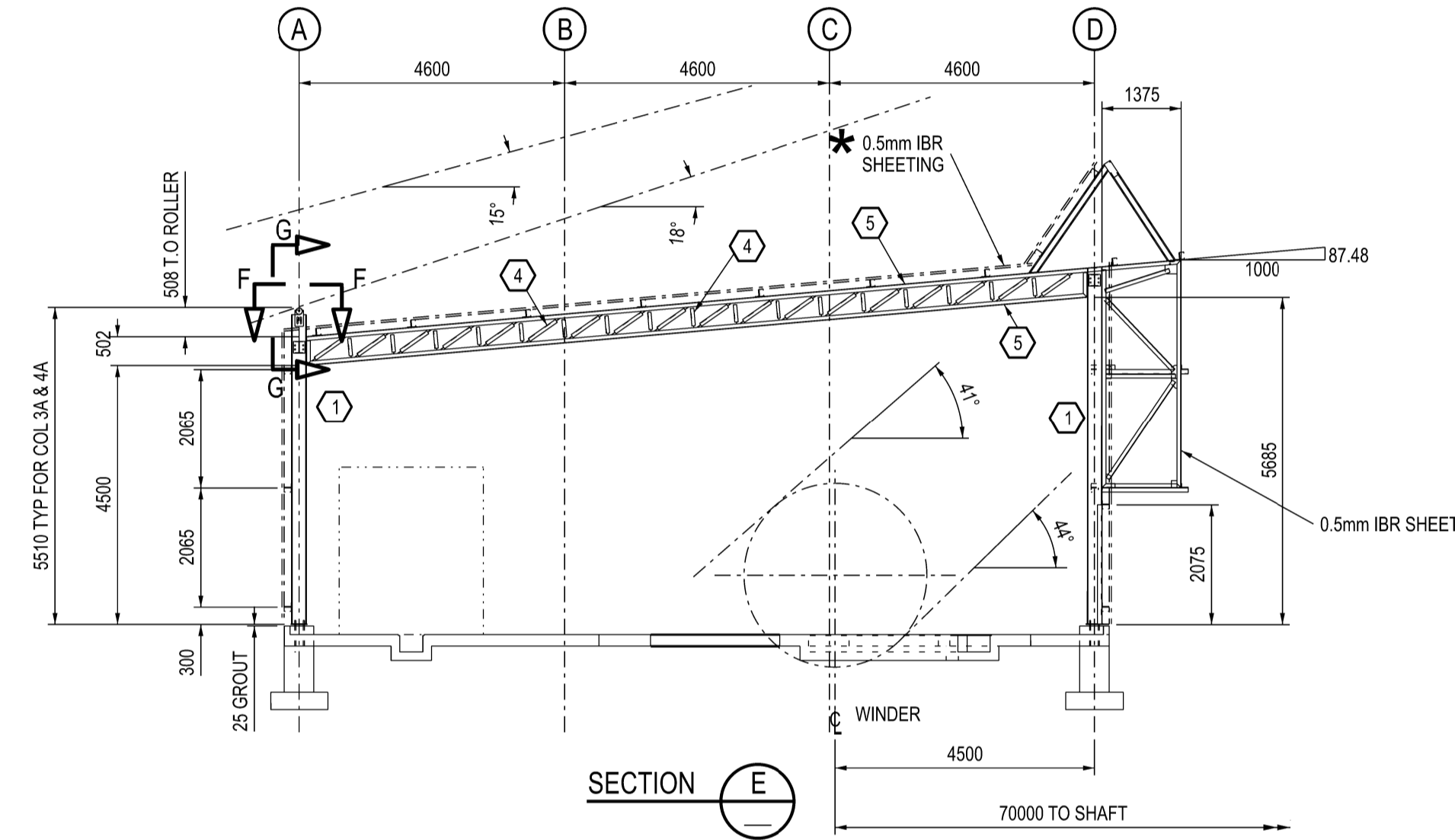


PLAN

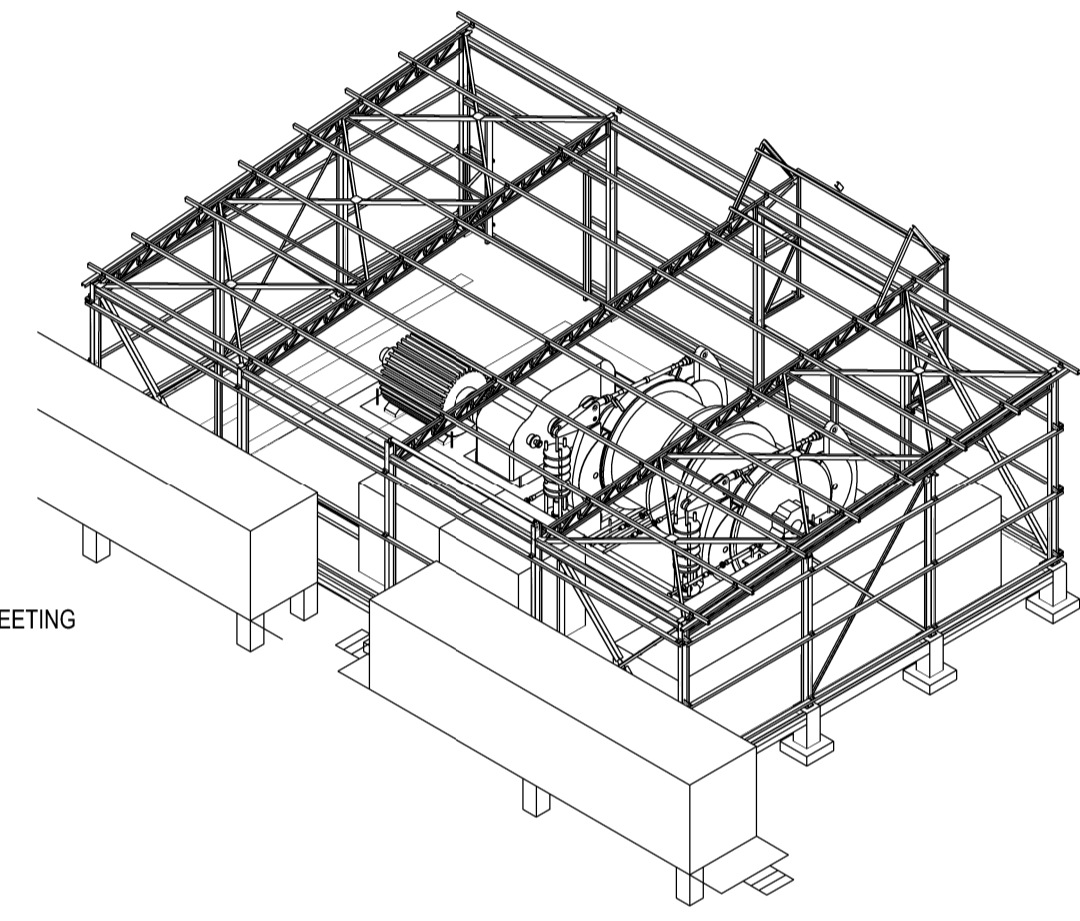


ELEVATION C

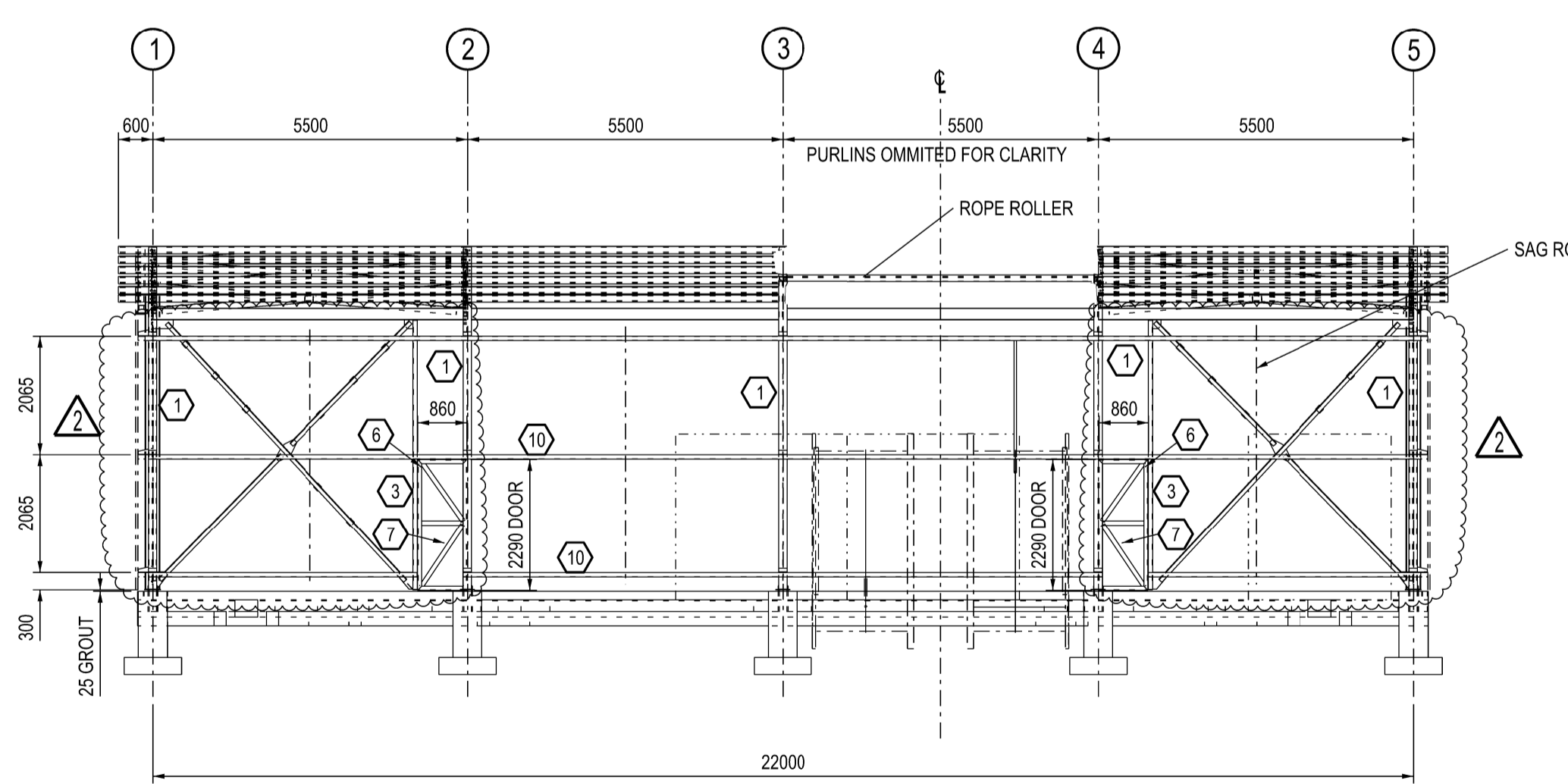
ELEVATION D



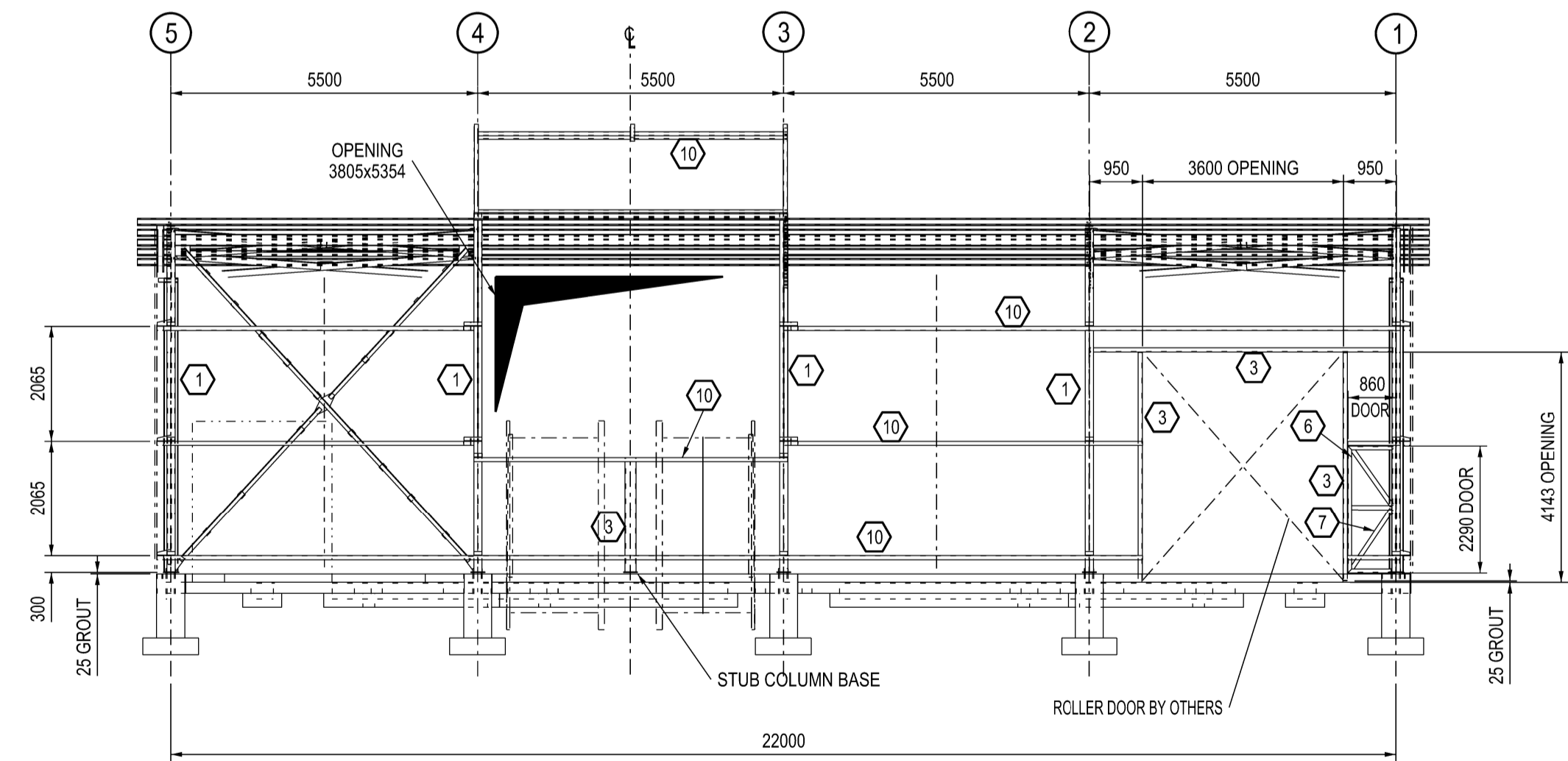
SECTION E



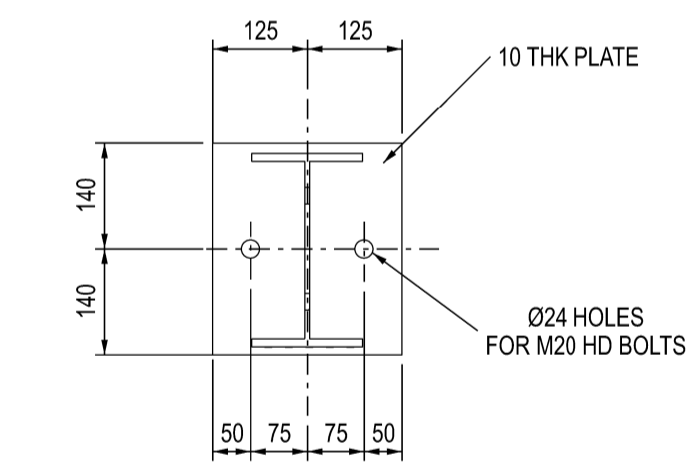
3D VIEW  
1:200



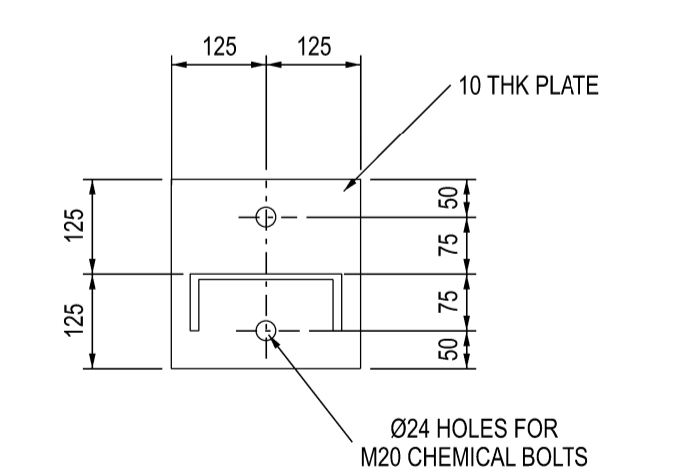
ELEVATION A



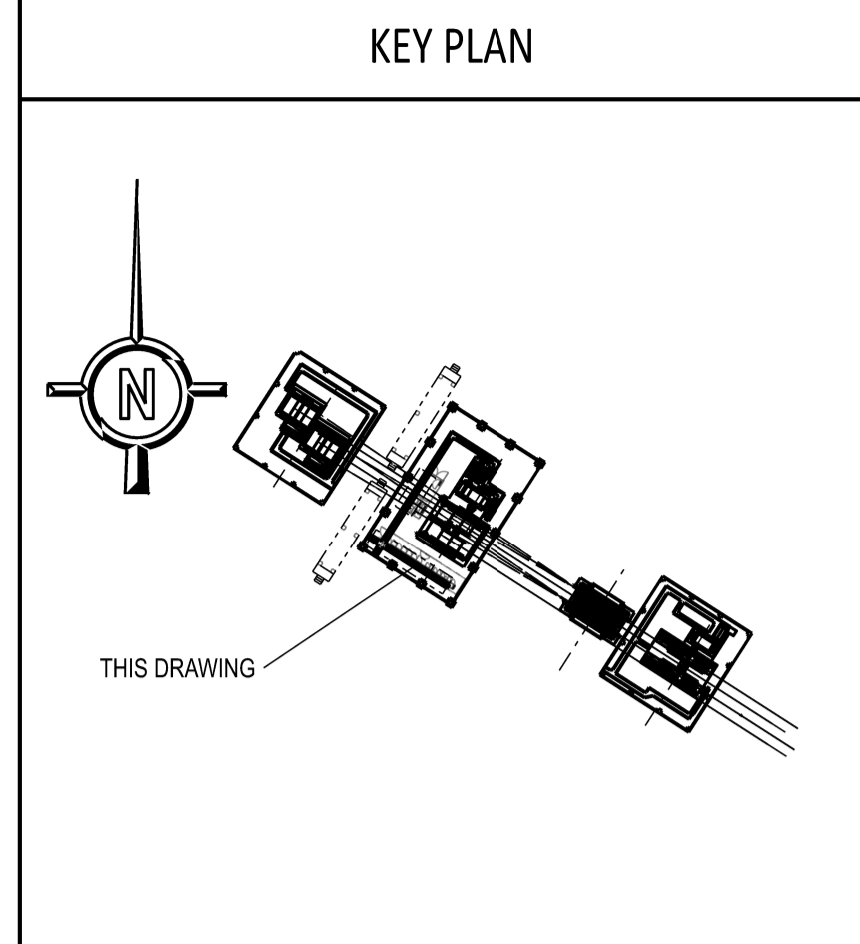
ELEVATION B



BASEPLATE DETAIL  
1:10



STUB COLUMN BASEPLATE DETAIL  
1:10

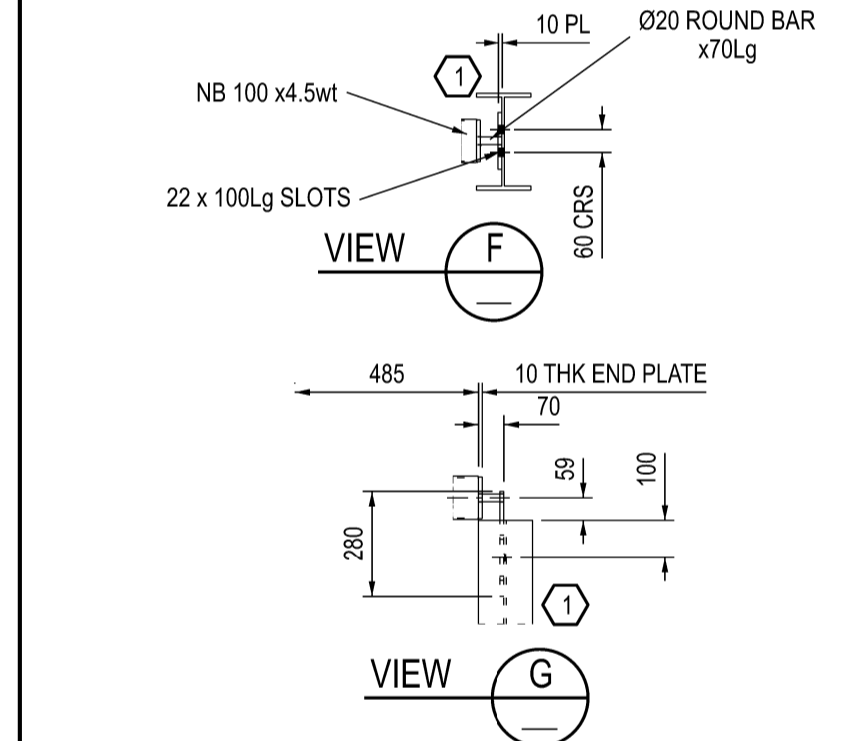


NOTES

- 1) FOR GENERAL NOTES SEE DRG No 165-4-107-5300-O-0014\_01
- 2) FOR LOCKS AND HINGES SEE DRG No 175-1-2600-0019\_01
- 3) TOTAL AREA OF IBR SHEETING 741 m<sup>2</sup>
- 4) TOTAL MASS OF STEELWORK: 12966kg

LEGEND	MATERIAL
1	254x146x37 UC
2	203x133x25 UB
3	200x75 PFC
4	60x60x6 RSA
5	70x70x6 RSA
6	70x70x10 RSA
7	80x10 FB
8	80x60x8 RSA
9	125x75x10 RSA
10	125x75x20x2.0 LIPPED L

\* 0.5mm IBR SHEETING FOR ROOF WITH EVERY SECOND SHEET TO BE TRANSLUCENT FIBRE GLASS SHEETING



**Murray & Roberts**  
Murray & Roberts Cementation

**ISSUED FOR CONSTRUCTION**

**Murray & Roberts**

Tel: +27 11 201 5000  
Fax: +27 11 201 5300  
info.cementation@murrob.com  
www.cementation.murrob.com

Pr Eng/Tech : .....

Reg. No. : .....

Signature : .....

M&R Cementation Drg.No	165-5-2200-T-0070_01	REV 2
------------------------	----------------------	-------

**IVANPLATS**

IVANPLATS SHAFT 2 SINKING & EQUIPPING DESIGN HEADFRAME SURFACE INFRASTRUCTURE G.A OF KIBBLE WINDERHOUSE FOR OWDD 9 WINDER

DWG No:	REV 2	SCALE: 1:100
---------	-------	--------------

IF IN DOUBT, ASK

SH No. 01 A1

TITLE	DRG No	DESCRIPTION	MARK	DATE	INTLS	APPVD	DESCRIPTION	MARK	DATE	INTLS	APPVD	M&R	NAME	SIGNATURE	DATE	
CONCRETE DETAILS OF FOUNDATION FOR KIBBLE WINDER HOUSE OWDD 9	165-5-2200-C-0024_01															
G.A AND LAYOUT OF SINKING WINDER	165-5-2200-O-0012_01															
		PEDESTRIAN DOOR ADDED TO WINDERHOUSE, AND BRACING CHANGED TO SUIT		07/02/2023		GM										
		IBR SHEETING NOTE ADDED		23/01/2023		GM										
		ISSUED FOR CONSTRUCTION		02/12/2022		GM										
		ISSUED FOR INFORMATION		21/10/2022		GM										

